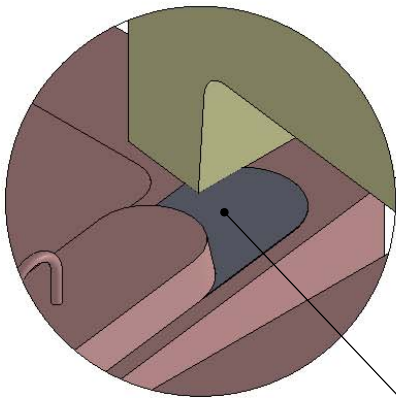
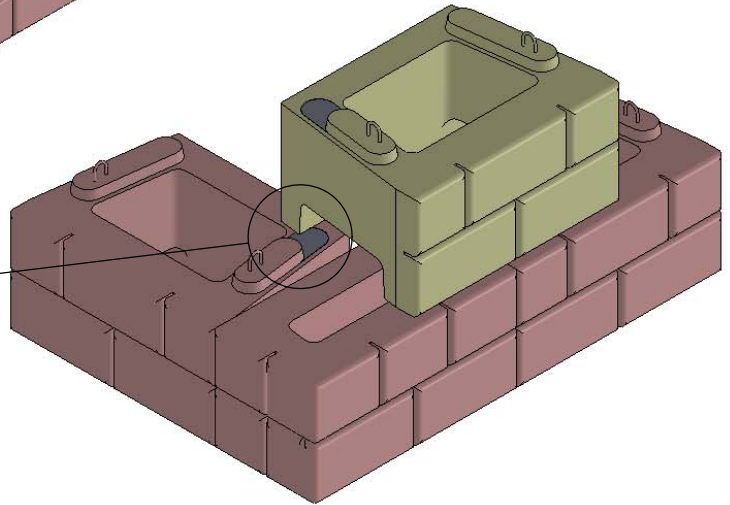
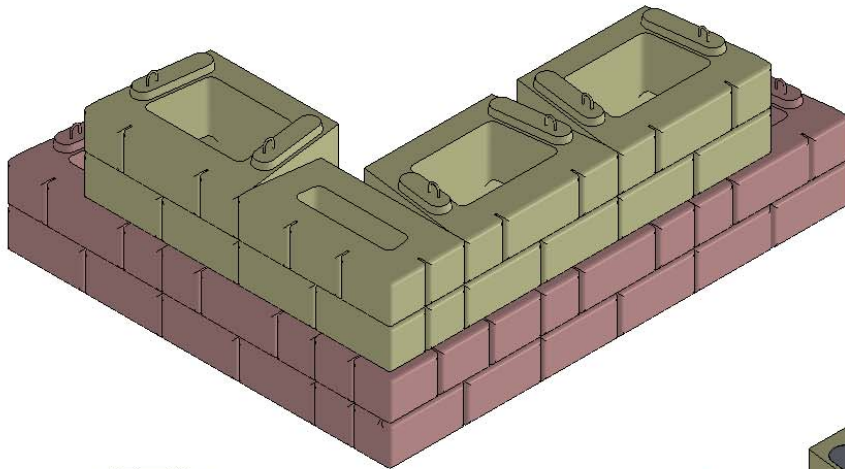
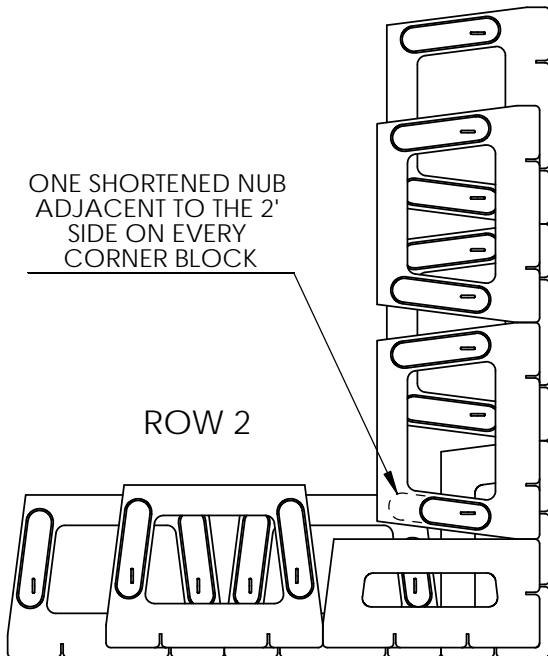


# OUTSIDE CORNER DETAIL



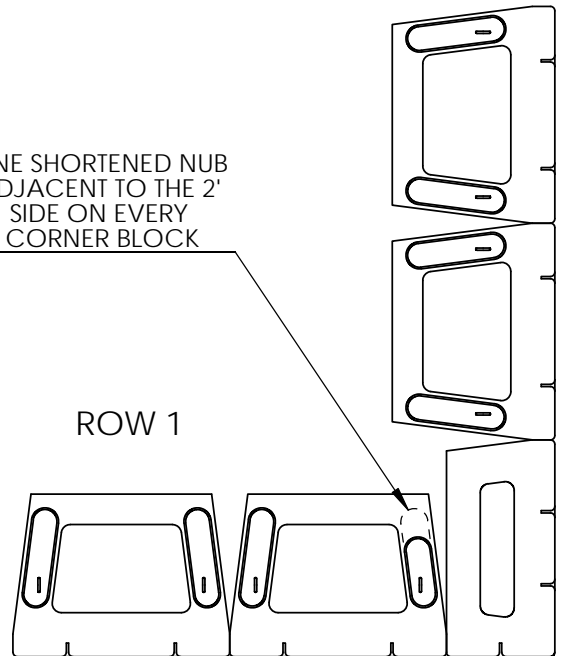
CONFLICTING POINT

ONE SHORTENED NUB  
ADJACENT TO THE 2'  
SIDE ON EVERY  
CORNER BLOCK



ROW 2

ONE SHORTENED NUB  
ADJACENT TO THE 2'  
SIDE ON EVERY  
CORNER BLOCK



ROW 1



DRAWN BY	DATE
DAN BALLING	12/12/2013
16500 SOUTH 500 WEST BLUFFDALE, UTAH 84065 PHONE: (801) 571-2028	

TITLE:	OUTSIDE CORNER
DWG NO.	WD-3
SCALE: 1: 40	SHEET 1 OF 1