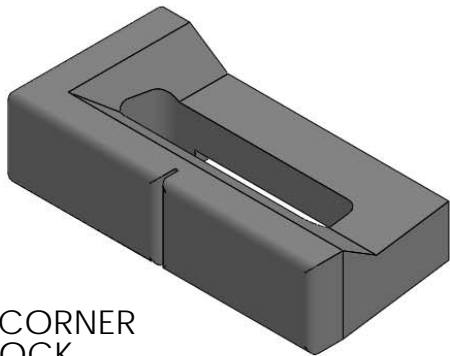
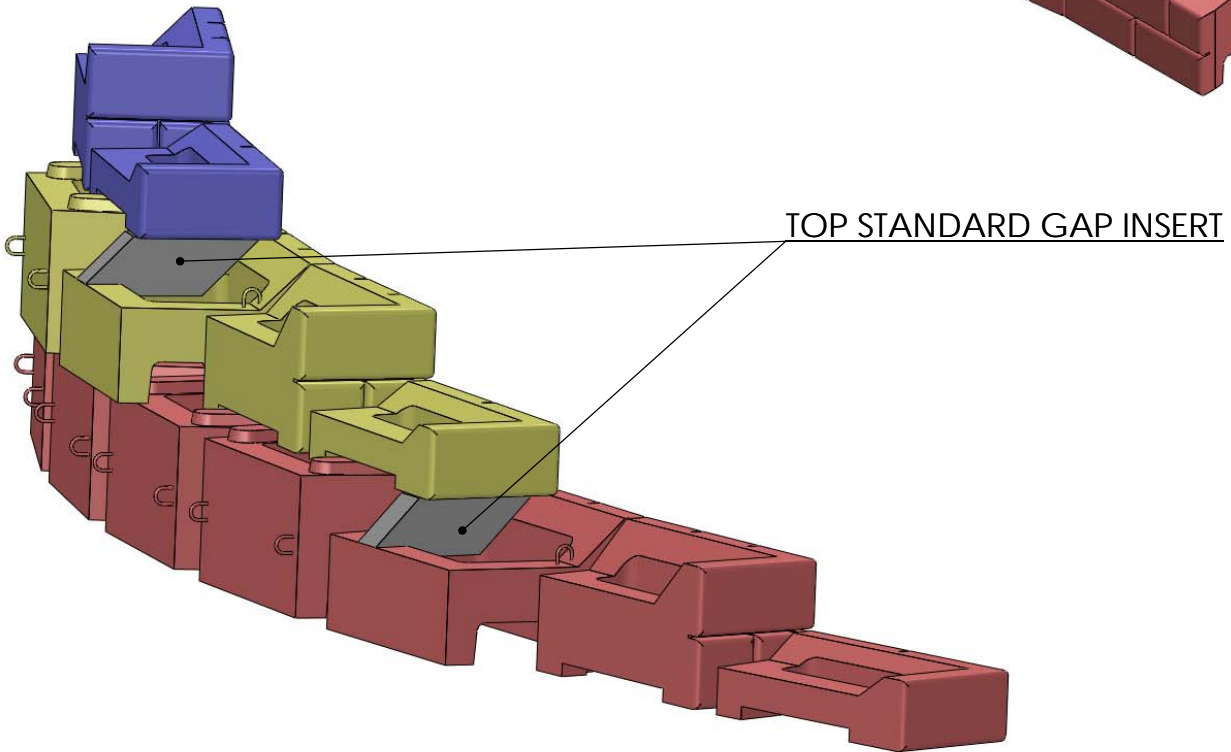
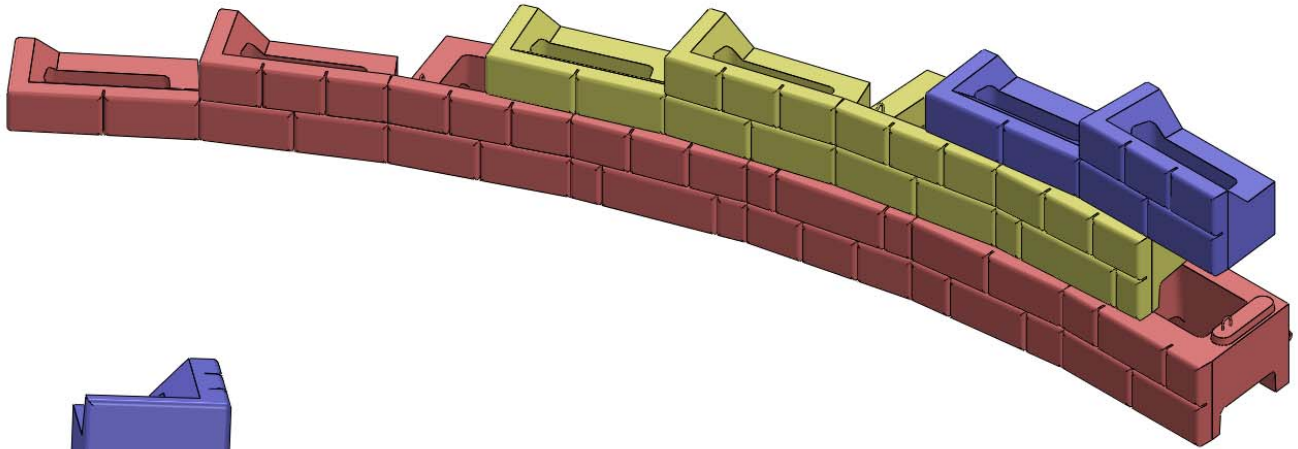
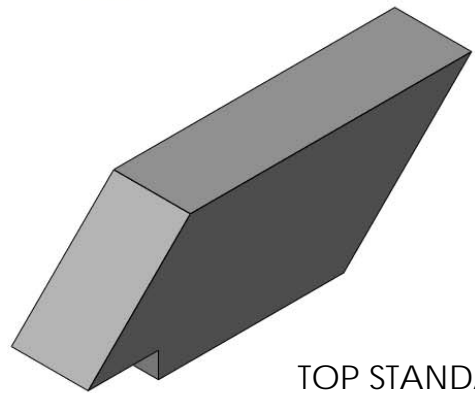


**10' STEP DOWN WITH HALF-STEP BLOCK
AND TOP STANDARD GAP INSERT**



HALF-STEP CORNER
TOP BLOCK



TOP STANDARD
GAP INSERT



DRAWN BY	DATE
DAN BALLING	12/12/2013
16500 SOUTH 500 WEST BLUFFDALE, UTAH 84065 PHONE: (801) 571-2028	

TITLE:	10' STEP W/ HALF STEP BLOCK
DWG NO.	WD-11
SCALE: 1: 40	SHEET 1 OF 1